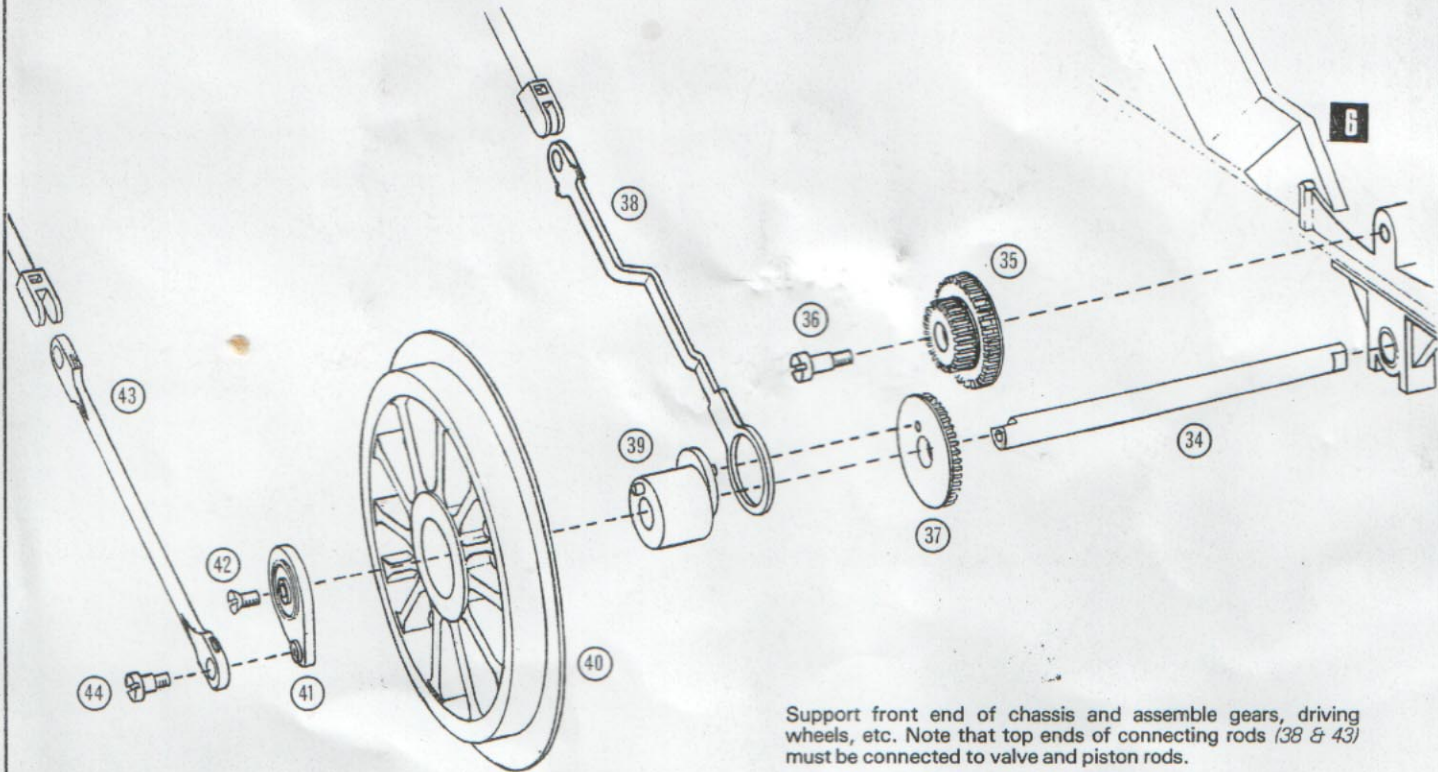


7 6 34 35 36 37 38 39 40 41 42 43 44

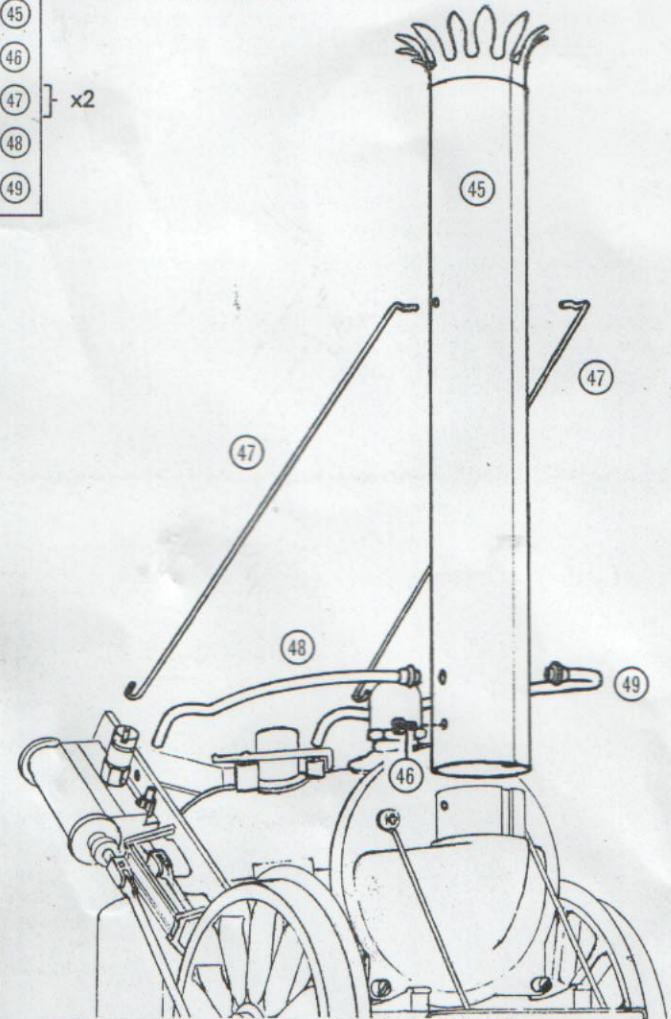
All x2



Support front end of chassis and assemble gears, driving wheels, etc. Note that top ends of connecting rods (38 & 43) must be connected to valve and piston rods.

8 When assembling chimney (45) ensure that hole for screw (46) is on correct side.

7 Fix tie rods (47) by looping in bottom ends first before fitting exhaust pipes (48 & 49).



9

Insert end A of brass pipe right through hole in footplate. Fit end B into hole in chassis frame. Then stretch to clip loop behind bracket C above cylinder.

